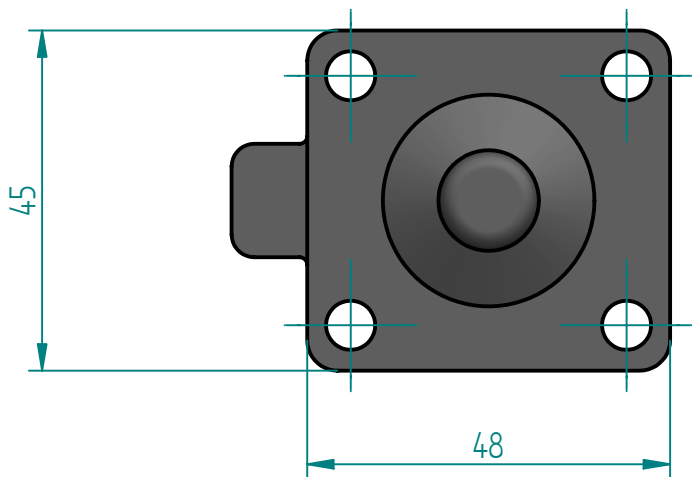
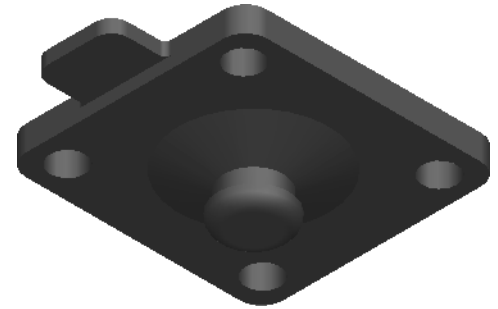
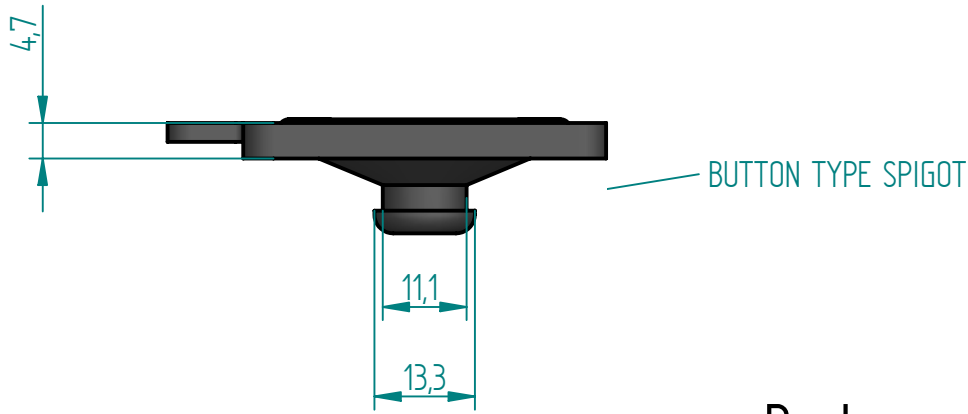
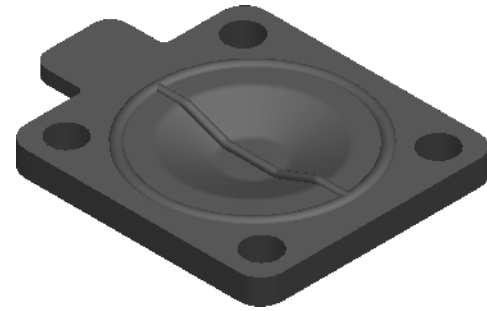
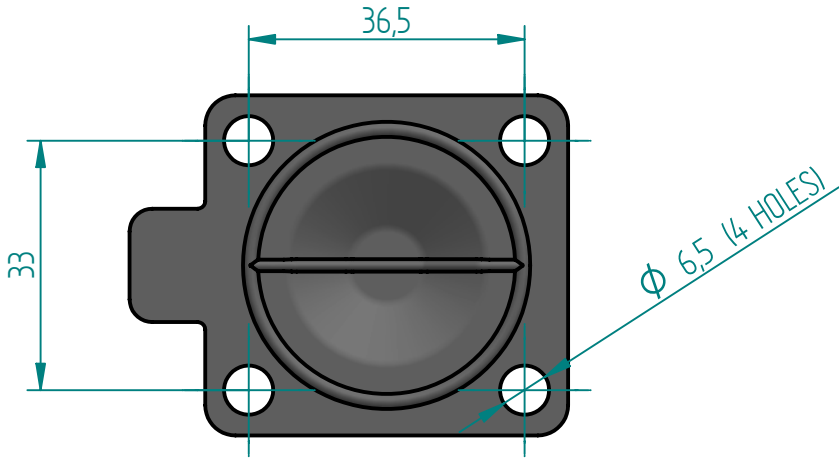


REVISION HISTORY			
REV	DESCRIPTION	DATE	APPROVED
B	NEW Part in BUTYL (IIR) Material	27/02/22	JB



Replacement Diaphragm for :-
 OEM PART = N/A - OEM has discontinued
 USED ON 1/2" (DN15,) Diaphragm Valve

	NAME	DATE
DRAWN	M.MC KEON	02/27/22
CHECKED	M.MC KEON	02/27/22



Material - BUTYL (IIR)

TITLE **DD05-SIIR**

Complies with CFR 177.2600
 and Conforms to
 USP Class VI Biological Reactivity
 Tests Section #87 and #88

SIZE A **FOOT PRINT DIMENSIONS** REV B

FILE NAME: DD05-SIIR-B.dft

SCALE: 1 : 1 | 1633-05-17-1 | SHEET 1 OF 1

Disclaimer - Diaphragm Direct® does not manufacture, represent, nor sell OEM valves or diaphragms manufactured by any other company. Diaphragm Direct® brand diaphragms are not sponsored by any other manufacturers. Any name, model, part number, brand, image, material or referral is for descriptive purposes only. Diaphragm Direct® brand replacement diaphragms are guaranteed to fit OEM equipment and meet or exceed OEM specifications. Diaphragm Direct® brand replacement diaphragms are covered by the standard Diaphragm Direct® limited product warranty.